

公司地址:

总厂:广东省佛山市南海区丹灶镇横江五金工业园瑞金路6号

二厂:广东省佛山市南海区丹灶镇石联石东工业大道14号

泰国工厂:58/1MOO2,THATALAT,SAMPHRAN,NAKHONPATHOM,73110 THAILAND

电话: (0086) 0757-85406872

www.tengmaohardware.com

佛山市腾懋五金塑料有限公司

Foshan Tengmao Hardware Plastic Co.,Ltd

丰懋五金(泰国)有限公司

Fongmao Hardware(Thailand) Co.,Ltd

Address of the Main Factory:

No.6 Ruijin Road, Hengjiang Hardware Industrial Park, Danzao Town, Nanhai District,

Foshan City, Guangdong Province, China

Address of the Second Factory:

No. 14, Shidong Industrial Avenue, Shilian, Danzao Town, Nanhai District, Foshan City,

Guangdong Province, China

Address of the Thailand Factory:

58/1MOO2,THATALAT,SAMPHRAN,NAKHONPATHOM,73110 THAILAND

Tel: (0086) 0757-85406872

www.tengmaohardware.com



”

佛山市腾懋五金塑料有限公司是一家以生产塑料、五金制品为主的企业，公司成立于2000年，坐落于中国广东省佛山市南海区丹灶镇，厂房面积10000多平方米，厂区划分为模具车间，注塑车间、五金生产车间、装配车间。我们现有80T-1000T精密注塑机多台及其他先进的模具生产设备，2021年我司获得ISO9001质量体系认证，从产品开发、制造和售后支持均有标准化工作流程，确保完全符合全球标准并保持持续卓越的性能，并于2024年成立了丰懋五金（泰国）有限公司并正式投入生产，帮助客户大幅提高产品定价竞争力和物流效率。

Foshan Tengmao Hardware Plastic Co.,Ltd is a manufacturer Specialized in plastic and hardware products which established in 2000, the company is located in Danzao Town, Nanhai District, Foshan City, Guangdong Province, China Our factory spans over 10,000 square meters, and is divided into dedicated workshops mold production, injection molding, hardware manufacturing, and assembly. We currently operate multiple precision injection molding machines ranging from 80T to 1000T capacity, along with other advanced mold production equipment. We are proud to hold the internationally recognized ISO9001 certification for our Quality Management System, from product development and manufacturing to after-sales support, ensuring full compliance with international benchmarks and consistent performance excellence. In 2024, We established Thailand Factory - Fongmao Hardware(Thailand)Co.,Ltd and started full scale production, to help clients improve product pricing competitive and logistics efficiency greatly.

 TENGMAO
— 腾懋 —
腾懋五金塑料有限公司

2000



”

公司主要生产衣柜、橱柜配件, 橱柜转角收纳系列, 各类家用电器外壳配件、灯饰塑料配件, 医疗设备外壳, 塑胶五金模具等产品, 长期以来我们竭诚致力于众多知名品牌的生产和生产厂家的配套。公司成立以来秉承“诚信、质量、服务”为宗旨, 为海内外广大客户提供更优质、更专业的服务, 同时我们也为海外知名品牌提供ODM/OEM配套代工服务, 并获得广大客户的好评。从2006年开始, 我们开始为国外家装品牌提供橱柜收纳产品, 产品覆盖橱柜转角收纳, 隐藏式垃圾桶等并获得客户一致好评。

Our products include plastic accessories for closets and cabinets, storage racks for cabinet corner, and various molding products. We've long been fully dedicated to providing matching production support for many top brands and manufacturers. Upholding the tenet of "Integrity, Quality, Service" since our founding, we deliver premium, professional services to global customers. We also offer ODM/OEM manufacturing services for renowned overseas brands.

Since 2006, we have been providing cabinet storage solutions for overseas home improvement brands, covering cabinet corner organizers, built-in trash bins, and other related products, which have received consistent high praise from our clients.

为厨房的每个角落 提供收纳方案

产品目录

橱柜转角储物架系列

270度扇形双层置物篮
270度扇形双层置物篮(带镀铬锌合金连接件)
360度圆形双层置物篮
360度圆形双层置物篮(带镀铬锌合金连接件)
360度圆形三层置物篮
飞碟转角置物篮

Lazy Susan Set for Cabint Corner

Kidney Two-Shelf Lazy Susan Set	13-14
Kidney Two-Shelf Lazy Susan Set with Chrome Hubs	13-14
Round Two-Shelf Lazy Susan Set	15-16
Round Two-Shelf Lazy Susan Set with Chrome Hubs	15-16
Round Three-shelf Lazy Susan Set	16
Cloud Sliding Pull-Out-Soft Closing Lazy Susan Set	17-18

底装抽拉式垃圾桶系统

抽拉式垃圾桶(单桶)系统
抽拉式垃圾桶(双桶)系统

Bottom Mounted Waste Bin

Single Pull-Out Trash Can System	21-22
Double-Barrel Pull-Out Trash Cans System	23-24

侧装抽拉式垃圾桶系统

抽拉式垃圾桶(单桶)系统
抽拉式垃圾桶(双桶)系统
塑料垃圾桶

Top Mounted Waste Bin

Single Pull-Out Trash Can System	27-28
Double-Barrel Pull-Out Trash Cans System	29-31
Plastic Waste Container	31

配件系列

塑料垃圾桶盖
转盘篮配件
挂衣杆
橱柜调节脚
家具配件

Accessories Series

Plastic Waste Container Lid	33
Lazy Susan Accessories	33
Closet Rod	34
Adjustable Cabinet Leg	35
Furniture Accessories	36

THE MOULD WORKSHOP

模具车间

我们拥有强大的新品设计能力和20余年的注塑开模经验，擅长产品结构优化，并与国内外多家知名品牌紧密合作。公司拥有进口精密设备和完整的生产团队，能够在短时间内应对各种突发情况和处理产品注塑缺陷。

We boast strong new product design capabilities, backed by over 20 years of experience in injection mold R&D. We specialize in product structure optimization and maintain close partnerships with many well-known domestic and international brands. Equipped with imported precision machinery and a professional production team, we are able to respond quickly and effectively to various challenges.



THE INJECTION MOLDING WORKSHOP

注塑车间

自2000年起我们专业从事注塑生产加工, 提供不同类型、不同材质的注塑件, 从2006年开始, 我们开始为国外家装品牌提供橱柜收纳产品, 产品覆盖橱柜转角收纳, 隐藏式垃圾桶 等并获得客户一致好评。2024年, 我们成功在泰国成立分公司, 并已正式投产。

Since 2000, we have specialized in injection molding production and processing, providing a wide range of injection-molded parts in diverse types and materials. Since 2006, we have been supplying kitchen cabinet storage solutions to international home improvement brands, including corner storage systems, concealed trash bins, and other related products, which have earned high praise from our customers. In 2024, We established Thailand Factory-Fongmao Hardware(Thailand)Co.,Ltd and started full scale production.





橱柜角储物架系列

Lazy Susan Set for Cabinet Corner



磨砂表面结构使物品抓握更稳固,同时降低噪音



正向轨道确保扇形切口能在门的靠口位置停留



双层搁板边缘增加稳定性



超强承重



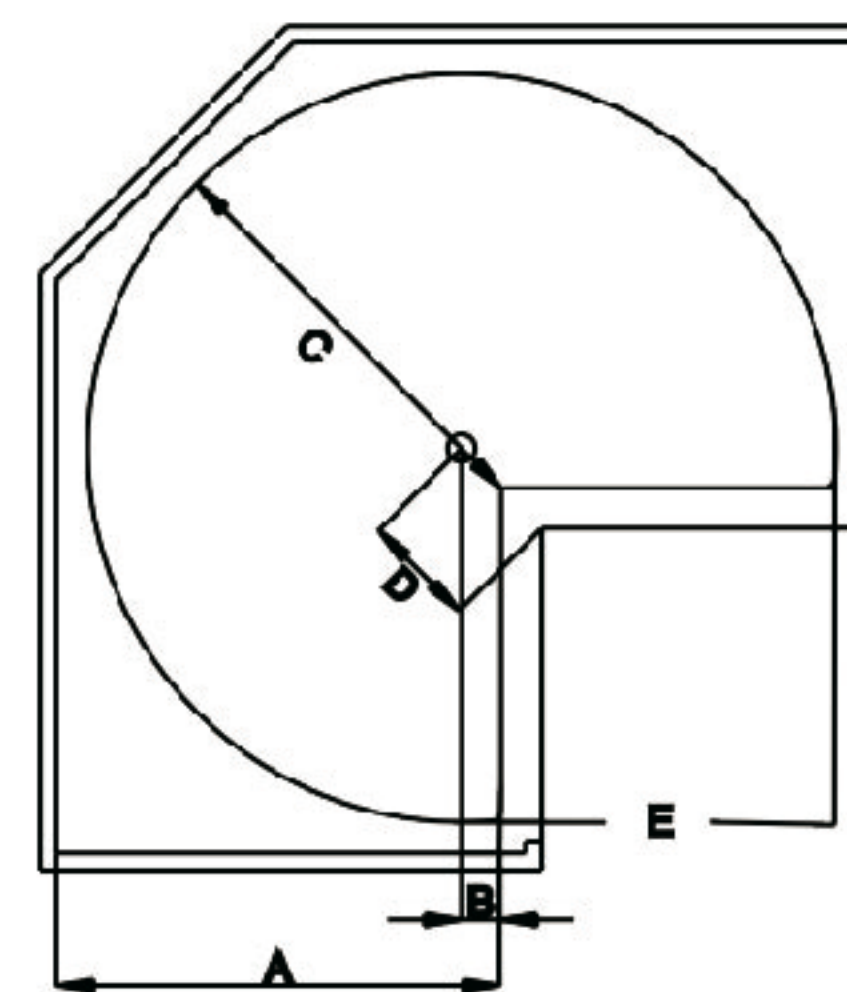
高度自调



现柜改造

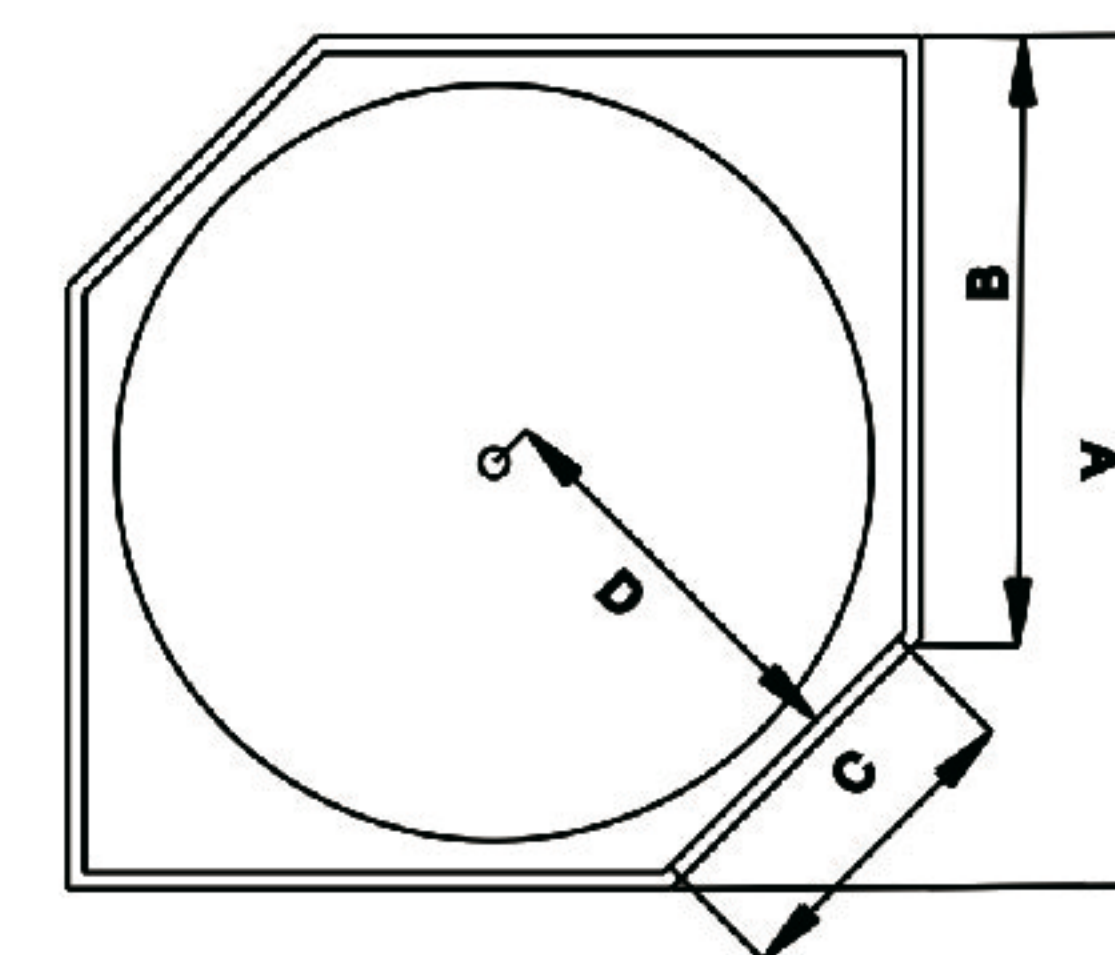
橱柜尺寸:270度塑料转盘

CABINET DIMENSIONS-KIDNEY



橱柜尺寸:360度塑料转盘

CABINET DIMENSIONS-ROUND



270度塑料转盘 KIDNEY LAZY SUSAN

搁板尺寸

Shelf Size	A	B	C	D	E
24"	14-1/16"	2-1/16"	15-1/16"	3-15/16"	9-15/16"
28"	16-1/16"	2-1/16"	17-1/16"	3-15/16"	11-15/16"
32"	18-1/16"	2-1/16"	19-1/16"	3-15/16"	13-15/16"

360度塑料转盘 ROUND LAZY SUSAN

搁板尺寸

Shelf Size	A	B	C	D
18"	21"	15"	8-1/2"	10"
24"	28"	19-3/4"	10-1/4"	13-1/4"
28"	32"	22-5/8"	12"	15-1/4"

Kidney Lazy Susan



每层搁板可承重40磅并可独立旋转
 旋转轴有一个正向轨道确保扇形切口能在门的开口位置停留
 支撑杆采用电镀涂层时尚美观
 伸缩杆高度可自由调节,可调节高度为21-1/2"至37-1/4"

- Every tray supports up to 40 lbs at least.
- Each storage tray rotates independently, and the hubs feature a positive stop that ensures the cutout aligns precisely with the door opening.
- The telescopic rods feature an electroplated coating for a sleek and elegant finish.
- Telescopic rod with freely adjustable height, adjustable range from 21-1/2" to 37-1/4".

Item No.	Shelf Size	Cabinet Width	Cabinet opening	Load Capacity	Shelf Material	Amount of Shelves	Color
TDPSK24WH	24"	28"	10-1/4"	40lbs	Metal+Plastic	2	WHITE
TDPSK28WH	28"	32"	11-3/8"	55lbs	Metal+Plastic	2	WHITE
TDPSK32WH	32"	36"	13-1/4"	60lbs	Metal+Plastic	2	WHITE
TDPSK24AG	24"	28"	10-1/4"	40lbs	Metal+Plastic	2	GREY
TDPSK28AG	28"	32"	11-3/8"	55lbs	Metal+Plastic	2	GREY
TDPSK32AG	32"	36"	13-1/4"	60lbs	Metal+Plastic	2	GREY



每层搁板可承重40磅并可独立旋转
 旋转轴有一个正向轨道确保扇形切口能在门的开口位置停留
 连接件采用金属镀铬,搭配镀铬支撑杆增添产品时尚气息
 伸缩杆高度可自由调节,可调节高度为21-1/2"至37-1/4"

- Each storage tray rotates independently, and it can supports up to 40 lbs at least for each shelf.
- Hubs feature a positive stop that ensures the cutout aligns precisely with the door opening.
- The metal telescopic rods and hubs are all electroplated for a sleek, trendy finish.
- The telescoping pole height is freely adjustable, with an adjustable range from 21-1/2" to 37-1/4".

Item No.	Shelf Size	Cabinet Width	Cabinet opening	Load Capacity	Shelf Material	Amount of Shelves	Color
TDPMK24WH	24"	28"	10-1/4"	40lbs	Metal+Plastic	2	WHITE
TDPMK28WH	28"	32"	11-3/8"	55lbs	Metal+Plastic	2	WHITE
TDPMK32WH	32"	36"	13-1/4"	60lbs	Metal+Plastic	2	WHITE
TDPMK24AG	24"	28"	10-1/4"	40lbs	Metal+Plastic	2	GREY
TDPMK28AG	28"	32"	11-3/8"	55lbs	Metal+Plastic	2	GREY
TDPMK32AG	32"	36"	13-1/4"	60lbs	Metal+Plastic	2	GREY



每层搁板采用高强度扁铁围栏配合12MM厚度的底板可承重60磅并可独立旋转
 旋转轴有一个正向轨道确保扇形切口能在门的开口位置停留
 每层搁板搭配防滑垫有效防水防滑
 产品使用灰色搭配镀铬金属连接件连接件尽显产品时尚气息
 伸缩杆高度可自由调节,可调节高度为21-1/2"至37-1/4"

- Each shelf is constructed with high-strength flat iron railings and 12mm thick-plate, it holds up to 60 lbs at least and spins independently with ease.
- The hubs have a positive stop, so cutout stops at the door opening.
- Each shelf is fitted with a non-slip mat for reliable water and slip-resistant performance.
- This product boasts a sleek gray finish paired with chrome-plated metal connectors, exuding a modern contemporary aesthetic.
- The telescoping pole height is freely adjustable, with an adjustable range from 21-1/2" to 37-1/4".

Item No.	Shelf Size	Cabinet Width	Cabinet opening	Load Capacity	Shelf Material	Amount of Shelves	Color
TDFMK24	24"	28"	10-1/4"	50lbs	Metal+Wood	2	GREY
TDFMK28	28"	32"	11-3/8"	55lbs	Metal+Wood	2	GREY
TDFMK32	32"	36"	13-1/4"	60lbs	Metal+Wood	2	GREY



搁板采用优质木材制作而成,边篮采用指接工艺,坚固而牢实
 每层搁板可承重60磅并可独立旋转
 旋转轴有一个正向轨道确保扇形切口能在门的开口位置停留
 连接件采用金属镀铬,搭配镀铬支撑杆增添产品时尚气息
 伸缩杆高度可自由调节,可调节高度为21-1/2"至37-1/4"

- The layer are crafted from premium wood, while the side baskets feature finger-jointed construction for exceptional strength and durability.
- The rotating shaft features a forward-facing track that ensures the sector-shaped cutout remains in the door's open position.
- Each layer can hold up to 60 pounds and can be rotated individually.
- The metal telescopic rod and hubs all electroplated for a more beautiful appearance.
- The telescoping pole height is freely adjustable, with an adjustable range from 21-1/2" to 37-1/4".

Item No.	Shelf Size	Cabinet Width	Cabinet opening	Load Capacity	Shelf Material	Amount of Shelves	Color
TDWMK28	28"	32"	11-3/8"	55lbs	Metal+Wood	2	Maple
TDWMK32	32"	36"	13-1/4"	60lbs	Metal+Wood	2	Maple

Round Lazy Susan



每层搁板可承重20磅并可独立旋转
 支撑杆采用电镀涂层时尚美观
 伸缩杆高度可自由调节,可调节高度为21-1/2"至37-1/4"

-Each storage tray rotates independ-ently, every tray supports up to 20 lbs at least.
 -The telescopic rods feature an electroplated coating for a sleek and elegant finish.
 -The telescoping pole height is freely adjustable, with an adjustable range from 21-1/2" to 37-1/4".

Item No.	Shelf Size	Cabinet Width	Cabinet opening	Load Capacity	Shelf Material	Amount of Shelves	Color
TDPSR218WH	18"	21"	8"	20lbs	Metal+Plastic	2	WHITE
TDPSR24WH	24"	28"	10-1/4"	40lbs	Metal+Plastic	2	WHITE
TDPSR28WH	28"	32"	12"	55lbs	Metal+Plastic	2	WHITE
TDPSR218AG	18"	21"	8"	20lbs	Metal+Plastic	2	GREY
TDPSR24AG	24"	28"	10-1/4"	40lbs	Metal+Plastic	2	GREY
TDPSR28AG	28"	32"	12"	55lbs	Metal+Plastic	2	GREY



每层搁板可承重20磅并可独立旋转
 支撑杆采用电镀涂层时尚美观
 伸缩杆高度可自由调节,可调节高度为31-1/2"至43"

-Each storage tray rotates independ-ently, every tray supports up to 20 lbs at least.
 -The telescopic rods feature an electroplated coating for a sleek and elegant finish.
 -Telescopic rod with freely adjustable height, adjustable range from 31-1/2" to 43".

Item No.	Shelf Size	Cabinet Width	Cabinet opening	Load Capacity	Shelf Material	Amount of Shelves	Color
TDPSR318WH	18"	21"	8"	20lbs	Metal+Plastic	3	WHITE
TDPSR318AG	18"	21"	8"	20lbs	Metal+Plastic	3	GREY
TDPMR318WH	18"	21"	8"	20lbs	Metal+Plastic	3	WHITE
TDPMR318AG	18"	21"	8"	20lbs	Metal+Plastic	3	GREY



每层搁板可承重20磅并可独立旋转
 连接件采用金属镀铬,搭配镀铬支撑杆增添产品时尚气息
 伸缩杆高度可自由调节,可调节高度为21-1/2"至37-1/4"

-Each storage tray rotates independently, every tray supports up to 20 lbs at least.
 -The telescopic rods feature an electroplated coating for a sleek and elegant finish.
 -Telescopic rod with freely adjustable height, adjustable range from 21-1/2" to 37-1/4".

Item No.	Shelf Size	Cabinet Width	Cabinet opening	Load Capacity	Shelf Material	Amount of Shelves	Color
TDPMR218WH	18"	21"	8"	20lbs	Metal+Plastic	2	WHITE
TDPMR24WH	24"	28"	10-1/4"	40lbs	Metal+Plastic	2	WHITE
TDPMR28WH	28"	32"	12"	55lbs	Metal+Plastic	2	WHITE
TDPMR218AG	18"	21"	8"	20lbs	Metal+Plastic	2	GREY
TDPMR24AG	24"	28"	10-1/4"	40lbs	Metal+Plastic	2	GREY
TDPMR28AG	28"	32"	12"	55lbs	Metal+Plastic	2	GREY



搁板采用优质木材制作而成,边篮采用指接工艺,坚固而牢实
 每层搁板可承重60磅并可独立旋转
 连接件采用金属镀铬,搭配镀铬支撑杆增添产品时尚气息
 伸缩杆高度可自由调节,可调节高度为21-1/2"至37-1/4"

-The layer are crafted from premium wood, while the side baskets feature finger-joint-ed construction for exceptional strength and durability.
 -Each layer can hold up to 60 pounds and can be rotated individually.
 -The metal telescopic rod and hubs all electroplated for a more beautiful appearance.
 -The telescoping pole height is freely adjustable, with an adjustable range from 21-1/2" to 37-1/4".

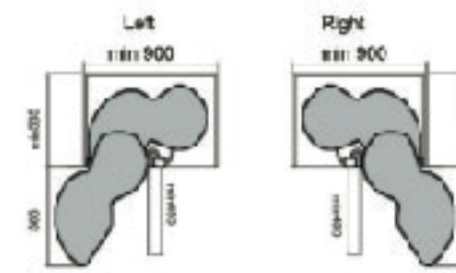
Item No.	Shelf Size	Cabinet Width	Cabinet opening	Load Capacity	Shelf Material	Amount of Shelves	Color
TDWMR18	18"	21"	8"	20lbs	Metal+Wood	2	Maple
TDWMR24	24"	28"	10-1/4"	40lbs	Metal+Wood	2	Maple
TDWMR28	28"	32"	12"	60lbs	Metal+Wood	2	Maple

Cloud sliding Pull-out soft Closing Lazy Susan



适用于36"的柜体, 钢轴芯力臂, 一体化支架, 稳固牢靠
配置缓冲阻尼, 缓慢闭合效果
盘表面斜纹设计, 使物品不易滑动, 免受碰撞
适用于不同方向开口的柜体, 可左右拉出

- Fits 36" cabinetry, Adopting steel shaft core arm and one-piece integrated bracket, it ensures ultra stable and reliable performance in daily use.
- Equipped with soft-close damper for slow, smooth closing.
- Turntable surface with Diagonal textured, prevents items from sliding and colliding.
- Universal for cabinets with different opening directions, pulled out from either left or right side.

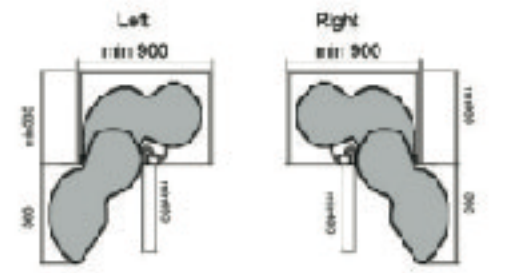


Item No.	Shelf Size	Cabinet Width	Cabinet opening	Load Capacity	Shelf Material	Amount of Shelves	Color
TDSPL90WH	32-9/25"	min36"	18"	20lbs	Metal+Plastic	2	WHITE
TDSPL90AG	32-9/25"	min36"	18"	20lbs	Metal+Plastic	2	GREY
TDSPR90WH	32-9/25"	min36"	18"	20lbs	Metal+Plastic	2	WHITE
TDSPR90AG	32-9/25"	min36"	18"	20lbs	Metal+Plastic	2	GREY



适用于36"的柜体, 钢轴芯力臂, 一体化支架, 稳固牢靠
配置缓冲阻尼, 缓慢闭合效果
每层搁板搭配防滑垫有效防水防滑
适用于不同方向开口的柜体, 可左右拉出

- Fits 36" cabinetry, Adopting steel shaft core arm and one-piece integrated bracket, it ensures ultra-stable and reliable performance in daily use.
- Equipped with soft-close damper for slow, smooth closing.
- Turntable surface with Diagonal textured, prevents items from sliding and colliding.
- Universal for cabinets with different opening directions, pulled out from either left or right side.

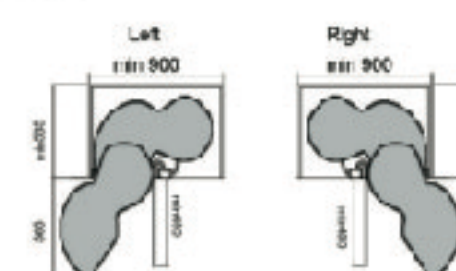


Item No.	Shelf Size	Cabinet Width	Cabinet opening	Load Capacity	Shelf Material	Amount of Shelves	Color
TDSSL90CH	32-9/25"	min36"	18"	20lbs	Metal+Plastic	2	CHROME
TDSSL90AG	32-9/25"	min36"	18"	20lbs	Metal+Plastic	2	GREY
TDSSR90CH	32-9/25"	min36"	18"	20lbs	Metal+Wood	2	CHROME
TDSSR90AG	32-9/25"	min36"	18"	20lbs	Metal+Wood	2	GREY



每层搁板可承重20磅并可独立拉出
盘表面斜纹设计, 使物品不易滑动, 免受碰撞
适用于不同方向开口的柜体, 可左右拉出
滑轨没有缓冲功能

- Each shelf supports up to 20 lbs and can be pulled out independently.
- The turntable features a diagonal textured surface to prevent items from sliding and colliding.
- Universal for cabinets with different opening directions, pullable left and right.
- Note: The slide rail is not equipped with a soft-close function.

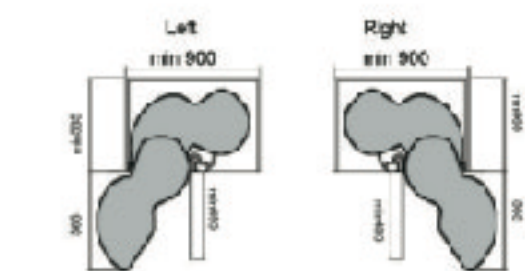


Item No.	Shelf Size	Cabinet Width	Cabinet opening	Load Capacity	Shelf Material	Amount of Shelves	Color
TDHML90WH	32-9/25"	min36"	18"	20lbs	Metal+Plastic	2	WHITE
TDHML90AG	32-9/25"	min36"	18"	20lbs	Metal+Plastic	2	GREY
TDHMR90WH	32-9/25"	min36"	18"	20lbs	Metal+Plastic	2	WHITE
TDHMR90AG	32-9/25"	min36"	18"	20lbs	Metal+Plastic	2	GREY



适用于36"的柜体, 钢轴芯力臂, 一体化支架, 稳固牢靠。
配置双缓冲阻尼, 缓慢闭合效果
每层搁板搭配防滑垫有效防水防滑
适用于不同方向开口的柜体, 可左右拉出

- Fits 36" cabinetry, Adopting steel shaft core arm and one-piece integrated bracket, it ensures ultra-stable and reliable performance in daily use.
- Equipped with soft-close damper for slow, smooth closing.
- Turntable surface with Diagonal textured, prevents items from sliding and colliding.
- Universal for cabinets with different opening directions, pulled out from either left or right side.



Item No.	Shelf Size	Cabinet Width	Cabinet opening	Load Capacity	Shelf Material	Amount of Shelves	Color
TDSDL90CH	32-9/25"	min36"	18"	20lbs	Metal+Plastic	2	WHITE
TDSDL90AG	32-9/25"	min36"	18"	20lbs	Metal+Plastic	2	GREY
TDSDR90CH	32-9/25"	min36"	18"	20lbs	Metal+Wood	2	CHROME
TDSDR90AG	32-9/25"	min36"	18"	20lbs	Metal+Wood	2	GREY



底装抽拉式垃圾桶

Bottom Mounted Waste Bin



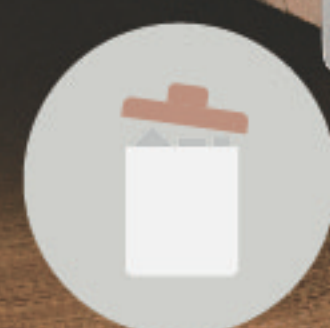
开合时不移位



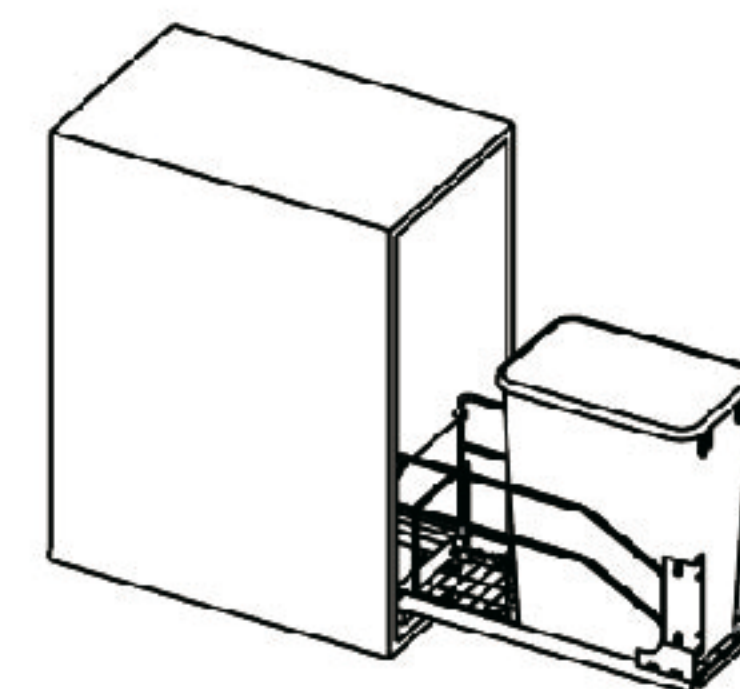
方便拎提倾斜



滑动阻尼



附加盖板, 防止异味外泄



单桶 Single

柜体宽度: 15inch, 18inch

美式有框柜

单个垃圾桶

橱柜开口尺寸: 12inch

两个垃圾桶

橱柜开口尺寸: 15inch

柜框宽度: 3"

Cabinet Width: 15"-18"

Face Frame

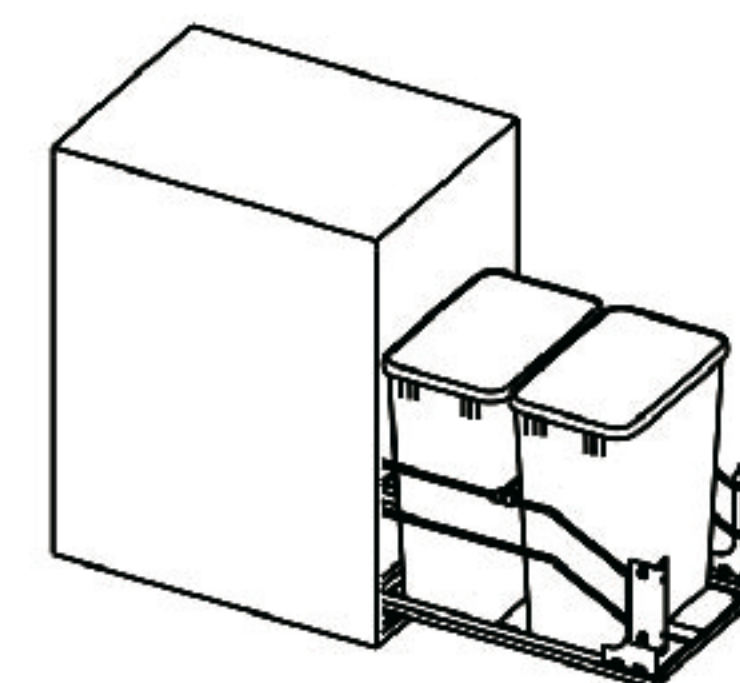
Single Waste Bin System

Cabinet Opening: 12"

Double Waste Bin System

Cabinet Opening: 15"

Faceframe Width: 3"



双桶 Double

柜体宽度: 15inch, 18inch

无框柜

单个垃圾桶

橱柜开口尺寸: 13-1/2inch

两个垃圾桶

橱柜开口尺寸: 16-1/2inch

Cabinet Width: 15" 18"

Frameless

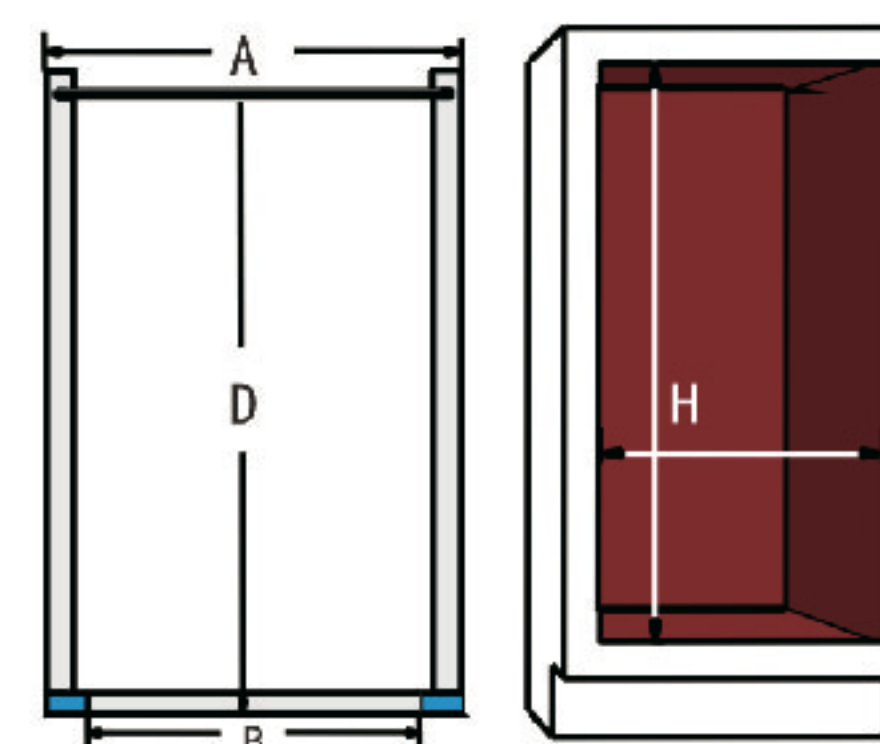
Single Waste Bin System

Cabinet Opening: 13-1/2"

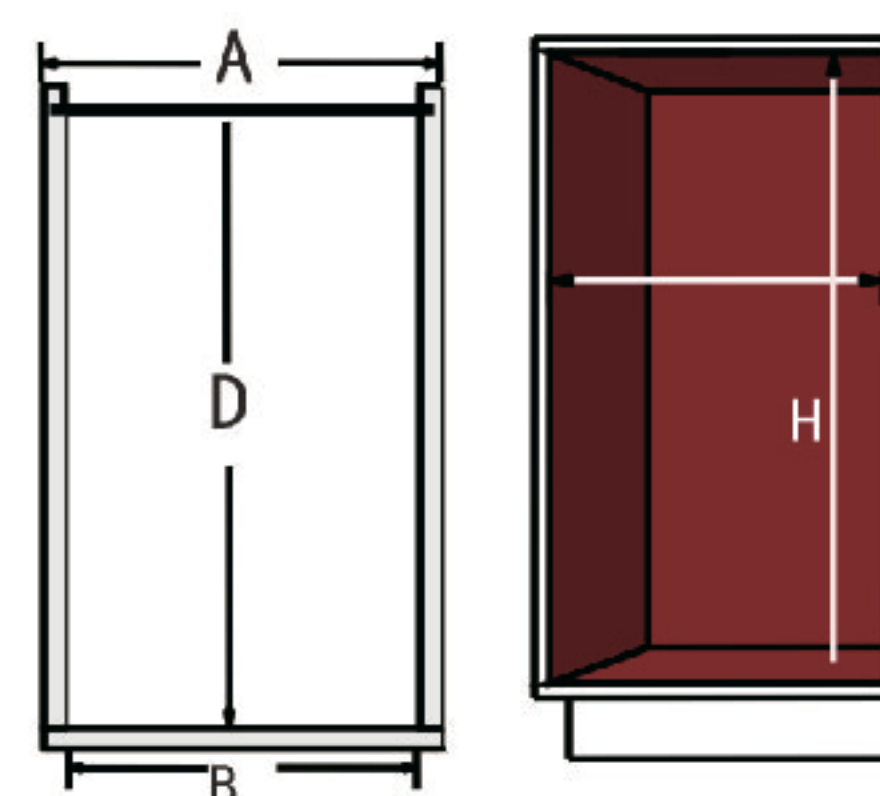
Double Waste Bin System

Cabinet Opening: 16-1/2"

橱柜尺寸 Cabinet Dimensions



橱柜宽度 Cabinet width	橱柜开口 Cabinet opening	安装深度 Installation depth	安装高度 Installation height
(A)	(B)	(D)	(H)
15"	12"	23"	20" to 27"
18"	15"	23"	20" to 27"



橱柜宽度 Cabinet width	橱柜开口 Cabinet opening	安装深度 Installation depth	安装高度 Installation height
(A)	(B)	(D)	(H)
15"	13-1/2"	23"	20" to 27"
18"	16-1/2"	23"	20" to 27"



支架可以独立拆卸
滑轨带有缓冲功能,可承重35KG
柜门可通过门板连接件进行6向调节
深灰色支架搭配镀铬金属边框突显时尚气息
垃圾桶有35qt和50qt可以选择

- The brackets are individually detachable.
- The slide rails feature a soft-close function with a 35KG load capacity.
- Cabinet doors offer 6-way adjustment via door panel connectors.
- Gray brackets paired with chrome-plated metal frames enhance the sleek modern aesthetic.
- Trash cans are available in 35qt and 50qt options.

产品型号	柜子宽度	柜子最小开口尺寸	产品深度	产品宽度	产品高度	容量
Item No.	Cabinet Width	Cabinet opening	Product depth	Product Width	Product Height	Capacity (QT)
TDPBC1-35	15"	min 12"	21-1/4"	10-1/2"	20-1/8"	1x35qt
TDPBC1-50	15"	min 12"	21-1/4"	10-1/2"	24-1/2"	1x50qt



支架可以独立拆卸
滑轨带有缓冲功能,可承重35KG
柜门可通过门板连接件进行6向调节
深灰色支架搭配镀铬金属边框突显时尚气息
垃圾桶有35qt和50qt可以选择

- The brackets are individually detachable.
- The slide rails feature a soft-close function with a 35KG load capacity.
- Cabinet doors offer 6-way adjustment via door panel connectors.
- Gray brackets paired with chrome-plated metal frames enhance the sleek modern aesthetic.
- Trash cans are available in 35qt and 50qt options.

产品型号	柜子宽度	柜子最小开口尺寸	产品深度	产品宽度	产品高度	容量
Item No.	Cabinet Width	Cabinet opening	Product depth	Product Width	Product Height	Capacity (QT)
TDPBC3-35	15"	min 12"	21-5/8"	9-1/4"	19"	1x35qt
TDPBC3-50	15"	min 12"	21-5/8"	10-1/8"	23-3/8"	1x50qt



焊接一体式支架,坚固耐用
使用隐藏式美式滑轨,可承重35KG
滑轨带有缓冲功能 推拉更顺滑
柜门可通过门板连接件进行6向调节
深灰色支架搭配镀铬金属边框突显时尚气息
垃圾桶有35qt和50qt可以选择

- One-piece welded brackets for unbeatable sturdiness and durability.
- Concealed American-style slide rails feature a soft-close function for smooth gliding, with a 35KG load capacity.
- Cabinet doors enable 6-way adjustment via door panel connectors.
- Deep gray brackets paired with chrome-plated metal frames elevate the sleek modern aesthetic.
- Trash cans are available in 35qt and 50qt options.

产品型号	柜子宽度	柜子最小开口尺寸	产品深度	产品宽度	产品高度	容量
Item No.	Cabinet Width	Cabinet opening	Product depth	Product Width	Product Height	Capacity (QT)
TDPBC2-35	15"	min 12"	22-1/4"	10-1/8"	20-1/2"	1x35qt
TDPBC2-50	15"	min 12"	22-1/4"	10-1/8"	24-7/8"	1x50qt



支架可以独立拆卸
滑轨带有缓冲功能,可承重35KG
柜门可通过门板连接件进行6向调节
深灰色支架搭配镀铬金属边框突显时尚气息
垃圾桶有28L和35L可以选择

- The brackets are individually detachable.
- The slide rails feature a soft-close function with a 35KG load capacity.
- Cabinet doors offer 6-way adjustment via door panel connectors.
- Gray brackets paired with chrome-plated metal frames enhance the sleek modern aesthetic.
- Trash cans are available in 28L and 35L options.

产品型号	柜子宽度	柜子最小开口尺寸	产品深度	产品宽度	产品高度	容量
Item No.	Cabinet Width	Cabinet opening	Product depth	Product Width	Product Height	Capacity (LITER)
TDPBH1-28	15"	min 12"	21-5/8"	9-1/8"	20-1/8"	1x28L
TDPBH1-35	15"	min 12"	21-5/8"	9-3/4"	22-5/8"	1x35L



支架可以独立拆卸
滑轨带有缓冲功能,可承重35KG
柜门可通过门板连接件进行6向调节
深灰色支架搭配镀铬金属边框突显时尚气息
可搭配35qt和50qt的垃圾桶使用

- The brackets are individually detachable.
- The slide rails feature a soft-close function with a 35KG load capacity.
- Cabinet doors offer 6-way adjustment via door panel connectors.
- Gray brackets paired with chrome-plated metal frames enhance the sleek modern aesthetic.
- Trash cans are available in 35qt and 50qt options.

产品型号	柜子宽度	柜子最小开口尺寸	产品深度	产品宽度	产品高度	容量
Item No.	Cabinet Width	Cabinet opening	Product depth	Product Width	Product Height	Capacity (QT)
TDPBC1-70	18"	15"	21-1/4"	14-1/8"	20-1/8"	2x35qt
TDPBC1-100	18"	15"	21-1/4"	14-1/8"	24-1/2"	2x50qt



支架可以独立拆卸
滑轨带有缓冲功能,可承重35KG
柜门可通过门板连接件进行6向调节
深灰色支架搭配镀铬金属边框突显时尚气息
垃圾桶有35qt和50qt可以选择

- The brackets are individually detachable.
- The slide rails feature a soft-close function with a 35KG load capacity.
- Cabinet doors offer 6-way adjustment via door panel connectors.
- Gray brackets paired with chrome-plated metal frames enhance the sleek modern aesthetic.
- Trash cans are available in 35qt and 50qt options.

产品型号	柜子宽度	柜子最小开口尺寸	产品深度	产品宽度	产品高度	容量
Item No.	Cabinet Width	Cabinet opening	Product depth	Product Width	Product Height	Capacity (QT)
TDPBC3-70	18"	15"	21-5/8"	14-3/8"	19-1/8"	2x35qt
TDPBC3-100	18"	15"	21-5/8"	14-3/8"	23-1/2"	2x50qt



焊接一体式支架,坚固耐用
使用隐藏式美式滑轨,可承重35KG
滑轨带有缓冲功能 推拉更顺滑
柜门可通过门板连接件进行6向调节
深灰色支架搭配镀铬金属边框突显时尚气息
垃圾桶有35qt和50qt可以选择

- One-piece welded brackets for unbeatable sturdiness and durability.
- Concealed American-style slide rails feature a soft-close function for smooth gliding, with a 35KG load capacity.
- Cabinet doors enable 6-way adjustment via door panel connectors.
- Deep gray brackets paired with chrome-plated metal frames elevate the sleek modern aesthetic.
- Trash cans are available in 35qt and 50qt options.

产品型号	柜子宽度	柜子最小开口尺寸	产品深度	产品宽度	产品高度	容量
Item No.	Cabinet Width	Cabinet opening	Product depth	Product Width	Product Height	Capacity (QT)
TDPBC2-70	18"	15"	22-3/8"	14-5/8"	20-3/8"	2x35qt
TDPBC2-100	18"	15"	22-3/8"	14-5/8"	24-3/8"	2x50qt



支架可以独立拆卸
滑轨带有缓冲功能,可承重35KG
柜门可通过门板连接件进行6向调节
深灰色支架搭配镀铬金属边框突显时尚气息
垃圾桶有28qt和35qt可以选择

- The brackets are individually detachable.
- The slide rails feature a soft-close function with a 35KG load capacity.
- Cabinet doors offer 6-way adjustment via door panel connectors.
- Gray brackets paired with chrome-plated metal frames enhance the sleek modern aesthetic.
- Trash cans are available in 28qt and 35qt options.

产品型号	柜子宽度	柜子最小开口尺寸	产品深度	产品宽度	产品高度	容量
Item No.	Cabinet Width	Cabinet opening	Product depth	Product Width	Product Height	Capacity (LITER)
TDPBH1-56	18"	15"	21-5/8"	13-2/5"	20-3/8"	2x28L
TDPBH1-70	18"	15"	21-5/8"	13-1/4"	22-7/8"	2x35L



侧装抽拉式垃圾桶

Top Mounted Waste Bin



3D可调门板



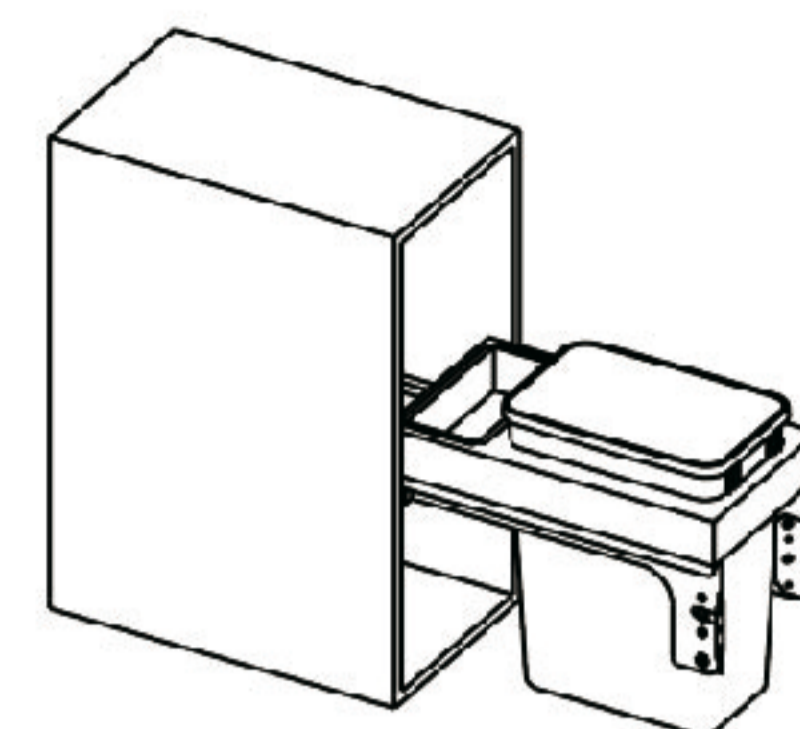
方便拎提倾斜



滑动阻尼



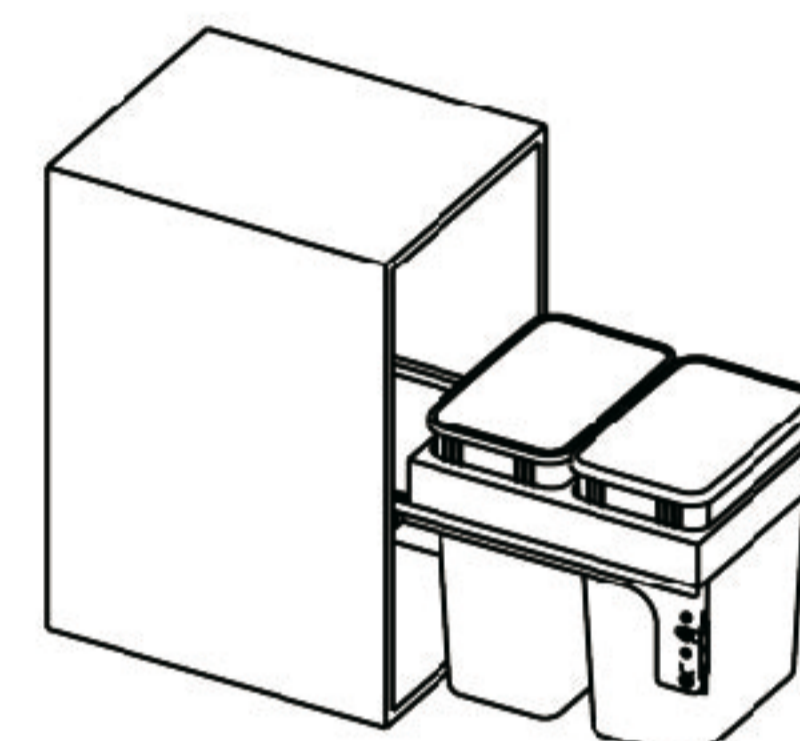
附加盖板, 防止异味外泄



单桶 Single

柜体宽度: 15inch, 18inch
美式有框柜
单个垃圾桶
橱柜开口尺寸: 12inch
两个垃圾桶
橱柜开口尺寸: 15inch
柜框宽度: 3"

Cabinet Width: 15"-18"
Face Frame
Single Waste Bin System
Cabinet Opening: 12"
Double Waste Bin System
Cabinet Opening: 15"
Faceframe Width: 3"



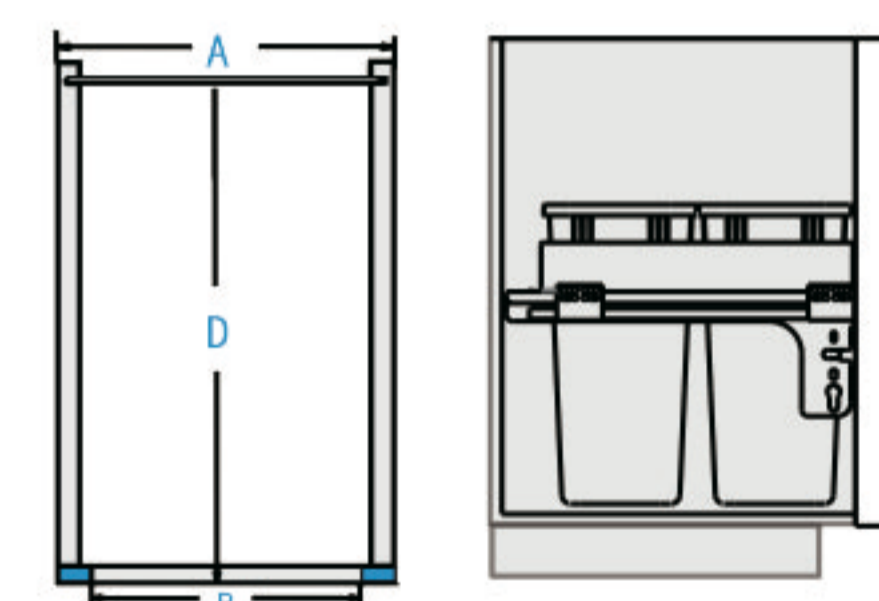
双桶 Double

柜体宽度: 15inch, 18inch
无框柜
单个垃圾桶
橱柜开口尺寸: 13-1/2inch
两个垃圾桶
橱柜开口尺寸: 16-1/2inch

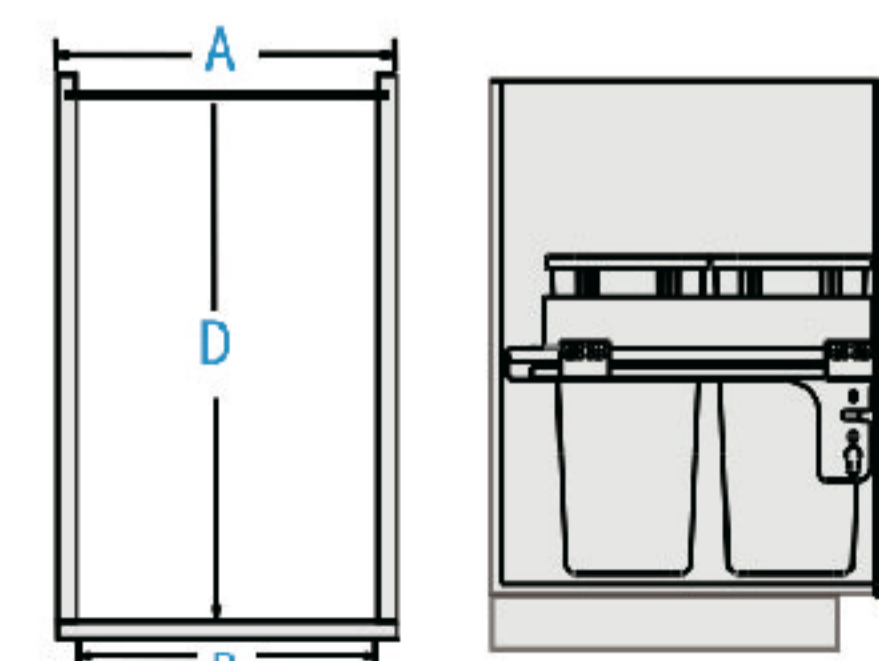
Cabinet Width: 15"-18"
Frameless
Single Waste Bin System
Cabinet Opening: 13-1/2"
Double Waste Bin System
Cabinet Opening: 16-1/2"

橱柜尺寸

Cabinet Dimensions



橱柜宽度 Cabinet Width	橱柜开口 Cabinet opening	安装深度 Installation depth	安装高度 Installation height
(A)	(B)	(D)	(H)
15"	12"	23"	18" to 23"
18"	15"	23"	18" to 23"



橱柜宽度 Cabinet Width	橱柜开口 Cabinet opening	安装深度 Installation depth	安装高度 Installation height
(A)	(B)	(D)	(H)
15"	13-1/2"	23"	18" to 23"
18"	16-1/2"	23"	18" to 23"



灰色金属框架,结实牢固
适用于15寸有框柜和无框柜
请配合产品随附的滑轨垫片适用
使用带有缓冲功能的重型钢珠滑轨,可承重90KG
柜门可通过连接件进行6向调节
垃圾桶有35qt和50qt可以选择

- Grey metal frame for exceptional sturdiness and structural stability.
- Suitable for 15" face-framed and frameless cabinets. Use the included slide rail gaskets for a perfect fit.
- Equipped with heavy-duty steel ball-bearing slides with soft-close mechanism, with a maximum load capacity of 90 kg for smooth and long-lasting use.
- Cabinet door allows 6-way adjustment via connecting components for precise alignment.
- Trash can options: 35 qt and 50 qt.

产品型号	柜子宽度	柜子最小开口尺寸	产品深度	产品宽度	产品高度	容量
Item No.	Cabinet Width	Cabinet opening	Product depth	Product Width	Product Height	Capacity (QT)
TDWBQ35-15	15"	min 12"	21-4/5"	13-1/2"	18"	1x35qt
TDWBQ50-15	15"	min 12"	21-4/5"	13-1/2"	22-3/8"	1x50qt



灰色金属框架,结实牢固
适用于15寸有框柜和无框柜
滑轨可以超长拉出,带有缓冲功能,承重45KG
柜门可通过连接件进行6向调节
垃圾桶有35qt和50qt可以选择

- Grey metal frame for outstanding sturdiness and structural stability.
- Fits 15" face framed & frame less cabinets, use the attached slide rail gaskets for perfect fitting.
- The slide rail features full-extension design with soft-close function,boasting a 45KG load capacity for smooth, quiet pull-out and retraction.
- Cabinet door supports 6-way precise adjustment via connecting pieces, easily aligning with cabinet structures for a seamless built-in look.
- Trash can capacity options: 35qt and 50qt, catering to diverse daily kitchen storage needs.

产品型号	柜子宽度	柜子最小开口尺寸	产品深度	产品宽度	产品高度	容量
Item No.	Cabinet Width	Cabinet opening	Product depth	Product Width	Product Height	Capacity (QT)
TDWSQ35-15	15"	min 12"	21"	13-1/4"	18"	1x35qt
TDWSQ50-15	15"	min 12"	21"	13-1/4"	22-3/8"	1x50qt



灰色金属框架,结实牢固
适用于15寸有框柜和无框柜
安装在柜子两边侧板,配有滑轨垫块
使用带有缓冲功能的重型钢珠滑轨,可承重90KG
柜门可通过连接件进行6向调节
垃圾桶有28L和35L可以选择

- Grey metal frame for superior sturdiness and durable construction.
- Fits 15" face framed & frame less cabinets, mounted on the two side panels of the cabinet,use the attached slide rail gaskets for perfect fitting.
- Equipped with heavy-duty steel ball slides with soft-close function, boasting a maximum load capacity of 90KG for smooth and stable use.
- Cabinet door enables 6-way precise adjustment via connecting pieces for perfect alignment with cabinet structures.
- Trash can options available: 28L and 35L.

产品型号	柜子宽度	柜子最小开口尺寸	产品深度	产品宽度	产品高度	容量
Item No.	Cabinet Width	Cabinet opening	Product depth	Product Width	Product Height	Capacity (LITER)
TDWBL28-15	15"	min 12"	21-4/5"	13-1/2"	20"	1x28L
TDWBL35-15	15"	min 12"	21-4/5"	13-1/2"	23"	1x35L



灰色金属框架,结实牢固
适用于15寸有框柜和无框柜,配有滑轨垫片
滑轨可以超长拉出,带有缓冲功能,承重45KG
柜门可通过连接件进行6向调节
垃圾桶有28L和35L可以选择

- Grey metal frame for robust sturdiness and lasting durability.
- Fits 15" face framed & frame less cabinets, use the attached slide rail gaskets for perfect fitting.
- The slide rail features full-extension design with soft-close function, boasting a 45KG load capacity for smooth, quiet pull-out and retraction.
- Cabinet door supports 6-way precise adjustment via connecting pieces, easily aligning with cabinet structures for a seamless built-in look.
- Trash can options available :28L and 35L.

产品型号	柜子宽度	柜子最小开口尺寸	产品深度	产品宽度	产品高度	容量
Item No.	Cabinet Width	Cabinet opening	Product depth	Product Width	Product Height	Capacity (LITER)
TDWSL28-15	15"	min 12"	21"	13-1/2"	19"	1x28L
TDWSL35-15	15"	min 12"	21"	13-1/2"	21-5/8"	1x35L



灰色金属框架, 结实牢固
适用于18寸无框柜或450mm柜体
使用带有缓冲功能的重型钢珠滑轨, 可承重90KG
柜门可通过连接件进行6向调节
垃圾桶有35qt和50qt可以选择

- Grey metal frame for sturdiness and stability.
- Suitable for 18" frame less cabinets or 450mm cabinet.
- Equipped with heavy-duty ball bearing slides with soft-close function, supporting a load capacity of 90KG.
- Doors allow 6-way adjustment via connecting fittings.
- Trash can available in 35qt and 50qt options.

产品型号	柜子宽度	柜子最小开口尺寸	产品深度	产品宽度	产品高度	容量
Item No.	Cabinet Width	Cabinet opening	Product depth	Product Width	Product Height	Capacity (QT)
TDWBQ70-18	18"	min 16-1/2"	21-4/5"	16-1/2"	18"	2x35qt
TDWBQ100-18	18"	min 16-1/2"	21-4/5"	16-1/2"	21-3/8"	2x50qt



灰色金属框架, 结实牢固
适用于18寸无框柜或450mm柜体
滑轨可以超长拉出, 可以轻松取出第二个垃圾桶
滑轨带有缓冲功能并可承重45KG
柜门可通过连接件进行6向调节

- Grey metal frame for sturdiness and stability.
- Suitable for 18" frame less cabinets or 450mm cabinet.
- Full-extension slides for easy access to the second trash can.
- Soft-close slides with a 45KG load capacity.
- 6-way adjustment of cabinet doors via connecting fittings.

产品型号	柜子宽度	柜子最小开口尺寸	产品深度	产品宽度	产品高度	容量
Item No.	Cabinet Width	Cabinet opening	Product depth	Product Width	Product Height	Capacity (QT)
TDWSQ70-18	18"	min 16-1/2"	21"	16-1/2"	18"	2x35qt



灰色金属框架, 结实牢固
适用于18寸无框柜或450mm柜体
使用带有缓冲功能的重型钢珠滑轨, 可承重90KG
柜门可通过连接件进行6向调节
可搭配垃圾桶盖或者可抽拉式置物板使用
垃圾桶有28L和35L可以选择

- Sturdy and durable grey metal frame.
- Suitable for 18" frame less cabinets or 450mm cabinet.
- Equipped with heavy-duty ball bearing slides with soft-close function, supporting a 90KG load capacity.
- Cabinet doors enable 6-way adjustment via connecting fittings.
- Compatible with trash can lids or storage boards.
- Trash can available in 28L and 35L options.

产品型号	柜子宽度	柜子最小开口尺寸	产品深度	产品宽度	产品高度	容量
Item No.	Cabinet Width	Cabinet opening	Product depth	Product Width	Product Height	Capacity (QT)
TDWBL56-18	18"	min 16-1/2"	21-4/5"	16-1/2"	20"	2x28L
TDWBL70-18	18"	min 16-1/2"	21-4/5"	16-1/2"	22-3/8"	2x35L



灰色金属框架, 结实牢固
适用于18寸无框柜或450mm柜体
滑轨可以超长拉出, 可以轻松取出第二个垃圾桶
滑轨带有缓冲功能并可承重45KG
柜门可通过连接件进行6向调节

- Grey metal frame for excellent sturdiness and stability.
- Suitable for 18" frameless cabinets or 450mm cabinets.
- Can be used with a pull-out shelf or a trash can lid.
- Equipped with heavy-duty steel ball-bearing slides with soft-close function, supporting a maximum load of 90 kg.
- Cabinet door allows 6-way adjustment via connecting components for precise alignment.
- Trash can options: 28L and 35L.

产品型号	柜子宽度	柜子最小开口尺寸	产品深度	产品宽度	产品高度	容量
Item No.	Cabinet Width	Cabinet opening	Product depth	Product Width	Product Height	Capacity (LITER)
TDWSL56-18	18"	min 16-1/2"	21"	16-1/2"	19"	2x28L
TDWSL70-18	18"	min 16-1/2"	21"	16-1/2"	21-1/2"	2x35L



灰色金属框架, 结实牢固
 适用于18寸无框柜或450mm柜体
 滑轨可以超长拉出, 可以轻松取出第二个垃圾桶
 滑轨带有缓冲功能并可承重45KG
 柜门可通过连接件进行6向调节

- Grey metal frame for sturdiness and stability.
- Suitable for 18" frame less cabinets or 450mm cabinet.
- Full-extension slides for easy access to the second trash can.
- Soft-close slides with a 45KG load capacity.
- 6-way adjustment of cabinet doors via connecting fittings.

产品型号	柜子宽度	柜子最小开口尺寸	产品深度	产品宽度	产品高度	容量
Item No.	Cabinet Width	Cabinet opening	Product depth	Product Width	Product Height	Capacity
TDB56-450	18"	min 16-1/2"	21	16-1/2"	20-1/8"	2x28L
TDB70-450	18"	min 16-1/2"	21	16-1/2"	22-5/8"	2x35L

垃圾桶 Trash Can



使用高强度塑料注塑一体成型
 容积有35QT和50QT两种
 颜色有白色、灰色和黑色三种

- Integrally molded from high-strength plastic via injection molding.
- Available in 35QT and 50QT capacities.
- Three colors options: white, grey and black.

产品型号	产品深度	产品宽度	产品高度	容量	颜色
Item No.	Product depth	Product Width	Product Height	Capacity (QT)	Color
TDCAN-35W	360mm	230mm	460mm	35QT	White
TDCAN-35G	360mm	230mm	460mm	35QT	Grey
TDCAN-35B	360mm	230mm	460mm	35QT	Black
TDCAN-50W	365mm	245mm	565mm	50QT	White
TDCAN-50G	365mm	245mm	565mm	50QT	Grey
TDCAN-50B	365mm	245mm	565mm	50QT	Black



配件系列 Accessories Series

垃圾桶盖

Trash Can Lid

使用高强度塑料注塑一体成型
 搭配35QT和50QT垃圾桶使用
 颜色有白色、灰色和黑色三种

- One-piece injection molded from high-strength plastic.
- Compatible with 35 QT and 50 QT waste bins.
- Available in white, grey, and black.



产品型号 Item No.	产品深度 Product depth	产品宽度 Product Width	产品高度 Product Height	容量 Capacity	颜色 Color
TDLID-35W	370mm	235mm	43mm	35QT	White
TDLID-35G	370mm	235mm	43mm	35QT	Grey
TDLID-35B	370mm	235mm	43mm	35QT	Black
TDLID-50W	370mm	255mm	43mm	50QT	White
TDLID-50G	370mm	255mm	43mm	50QT	Grey
TDLID-50B	370mm	255mm	43mm	50QT	Black

转盘篮配件

Lazy Susan Accessories

适用于木质转盘篮和塑料转盘篮
 两层置物篮的伸缩杆可调节高度为56-94CM
 三层置物篮的伸缩杆可调节高度为80-105CM

Metal Accessories for Lazy Susan Set:

- Telescopic rod for 2-shelves: adjustable height 56-94 cm
- Telescopic rod for 3-shelves: adjustable height 80-105 cm



挂衣杆

Closet Rod



产品型号 Item No.	尺寸 Dimensions (mm)	长度 Length (mm)	厚度 Thickness (mm)	颜色 Color
TD153024-CH	15x30x1.0	2400	1.0	Chrome
TD153024-MB	15x30x1.0	2400	1.0	Chrome
TD153036-CH	15x30x1.0	3600	1.0	Black
TD153036-MB	15x30x1.0	3600	1.0	Black



产品型号 Item No.	尺寸 Dimensions (mm)	长度 Length (mm)	厚度 Thickness (mm)	颜色 Color
TD272024-CH	Ø27x2.0	2400	2.0	Chrome
TD272024-MB	Ø27x2.0	2400	2.0	Black
TD272036-CH	Ø27x2.0	3600	2.0	Chrome
TD272036-MB	Ø27x2.0	3600	2.0	Black
TD322024-CH	Ø32x2.0	2400	2.0	Chrome
TD322024-MB	Ø32x2.0	2400	2.0	Black

橱柜调节脚

Adjustable Cabinet Feet

可选择PP或者ABS材料

可调节高度950-120MM

安装4个调节脚之后可承受500KG重量

Adjustable cabinet leg, Adjustable height form 4"to 5". Load rating of 500KG across 4 legs(125KG per each)



产品型号 Item No.	可调节高度 Adjustable Height	材料 Material	颜色 Color
TDPT-1	4"-5"	PP	Black
TDAT-1	4"-5"	ABS	Black

可选择PP或者ABS材料

可调节高度950-120MM

安装4个调节脚之后可承受500KG重量

Adjustable cabinet leg, Adjustable height form 4"to 5". Load rating of 500KG across 4 legs(125KG per each)



产品型号 Item No.	可调节高度 Adjustable Height	材料 Material	颜色 Color
TDPT-2	4"-5"	PP	Black
TDAT-2	4"-5"	ABS	Black

家具配件

Furniture Accessories

我们提供各种家具连接器和配件。产品由 ABS、PP、PC 等材料制成。产品符合 ROHS 要求。

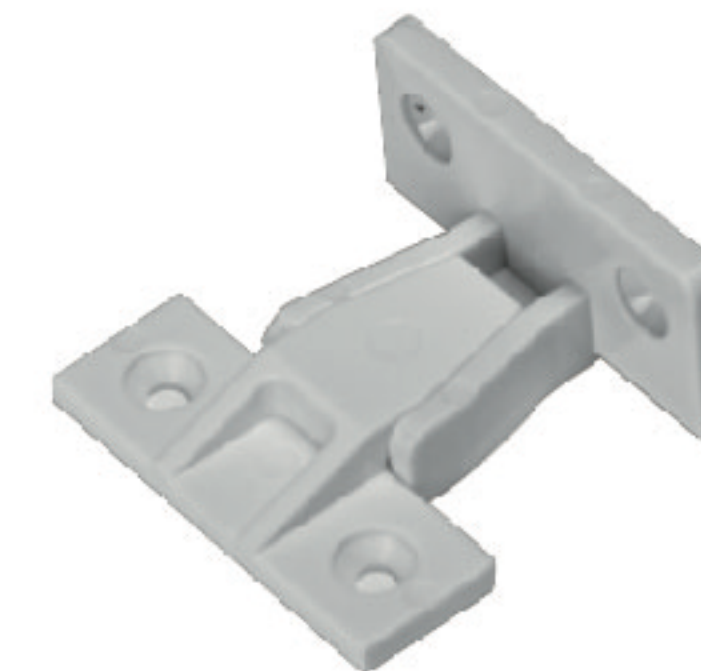
We provide various furniture connectors and accessories. The products are made of ABS, PP, PC and other materials. All our products could meet ROHS requirements.



木板卡夹
16MM Locking shelf chilp



层板托
Plastic Shelf Support with Metal Pin



罗马柱卡扣
Roman Column Clips



罗马柱卡扣
Roman Column Clips